

**NOTES**

1. EXISTING GROUND SURFACE TOPOGRAPHY IS FROM AUTOCAD DRAWINGS BY JOHNSON ENGINEERING WITH SUPPLEMENTAL ROAD ELEVATIONS BY ANDERSON SURVEY GROUP.
2. EXISTING GROUND CONTOURS LINES SHOWN ARE 25' INTERVALS.
3. APPROXIMATE AREAS WITH SLOPE LESS THAN 15% ARE SHOWN HATCHED. UNHATCHED AREAS ARE GENERALLY GREATER THAN 15% SLOPE.

**NATURE'S VIEW ESTATES  
SUBDIVISION**  
Boise County, Idaho

**Focus Engineering**  
Civil-Geotechnical-Environmental-Structural  
3835 West Scenic Drive, Boise, Idaho 83703  
(208) 395-1979 (208) 395-2399 fax focus@subboise.net

REVISIONS:

1	_____
2	_____
3	_____
4	_____
5	_____
6	_____
7	_____

PRELIMINARY  
DRAWING  
NOT FOR CONSTRUCTION

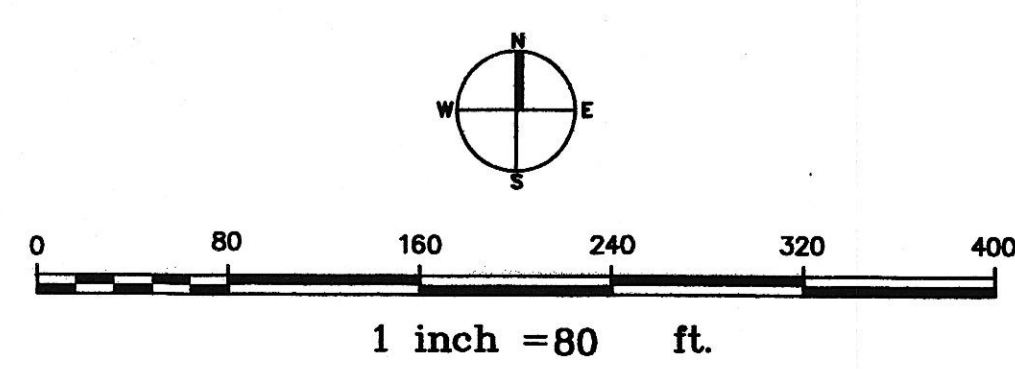
PROFESSIONAL ENGINEER  
REGISTERED  
8036  
CARL A. GEISLER  
02-07-07

**SITE PLAN**

PROJECT NO: 06037  
DATE: 02-07-07  
DRAWN BY: CAG

**C1.2**

**SITE PLAN**  
SCALE: 1"=80'



SEE SLOPE ANALYSIS PLAN  
C1.7 FOR SLOPES OF  
EXISTING GROUND

APPROXIMATE AREA WITH  
SLOPE LESS THAN 15%  
SHOWN HATCHED

APPROXIMATE AREA WITH  
SLOPE LESS THAN 15%  
SHOWN HATCHED