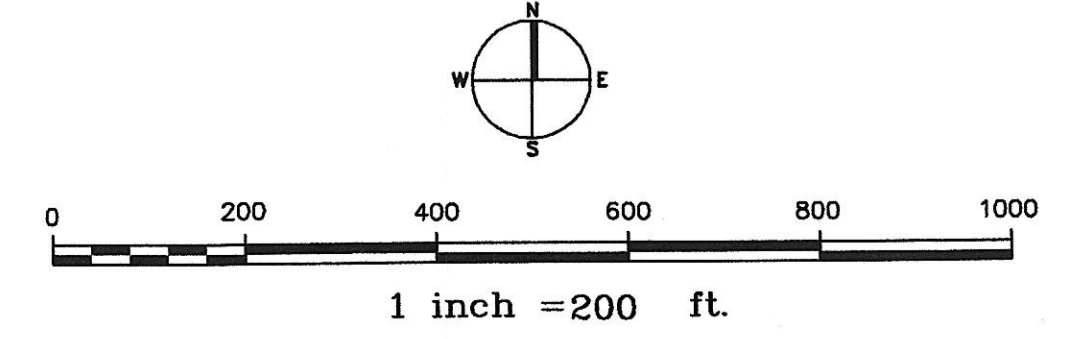




6.0 MILES FROM HUSTON ROAD TO HIGHWAY 55 INTERSECTION AT BANKS

OVERALL SITE PLAN
SCALE: 1"=200'



NOTES
1.

NATURE'S VIEW ESTATES SUBDIVISION
Boise County, Idaho

Focus Engineering
Civil-Geotechnical-Environmental-Structural
3835 West Scenic Drive, Boise, Idaho 83703
(208) 395-1979 (208) 395-2399 fax focus@calteone.net

REVISIONS:

1	
2	
3	
4	
5	
6	
7	

PRELIMINARY
NOT FOR CONSTRUCTION

OVERALL SITE PLAN

PROJECT NO: 06037
DATE: 01-27-07
DRAWN BY: CAG

CO.1